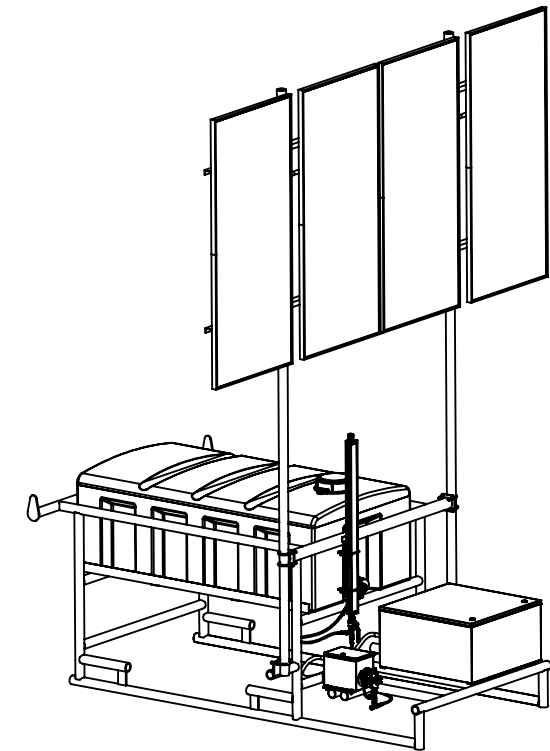
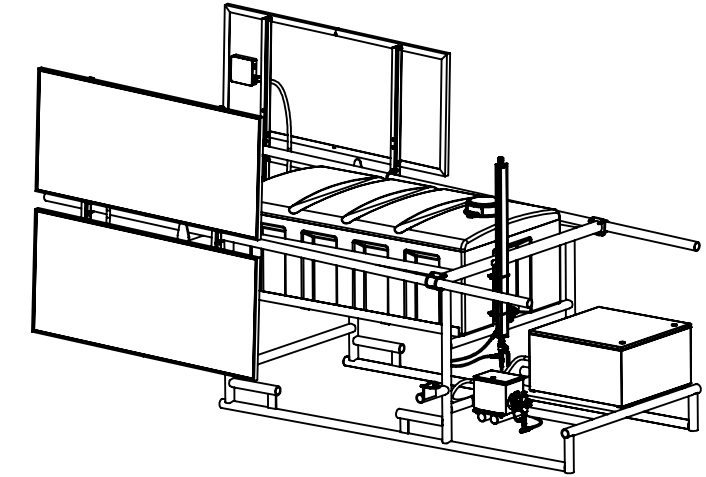
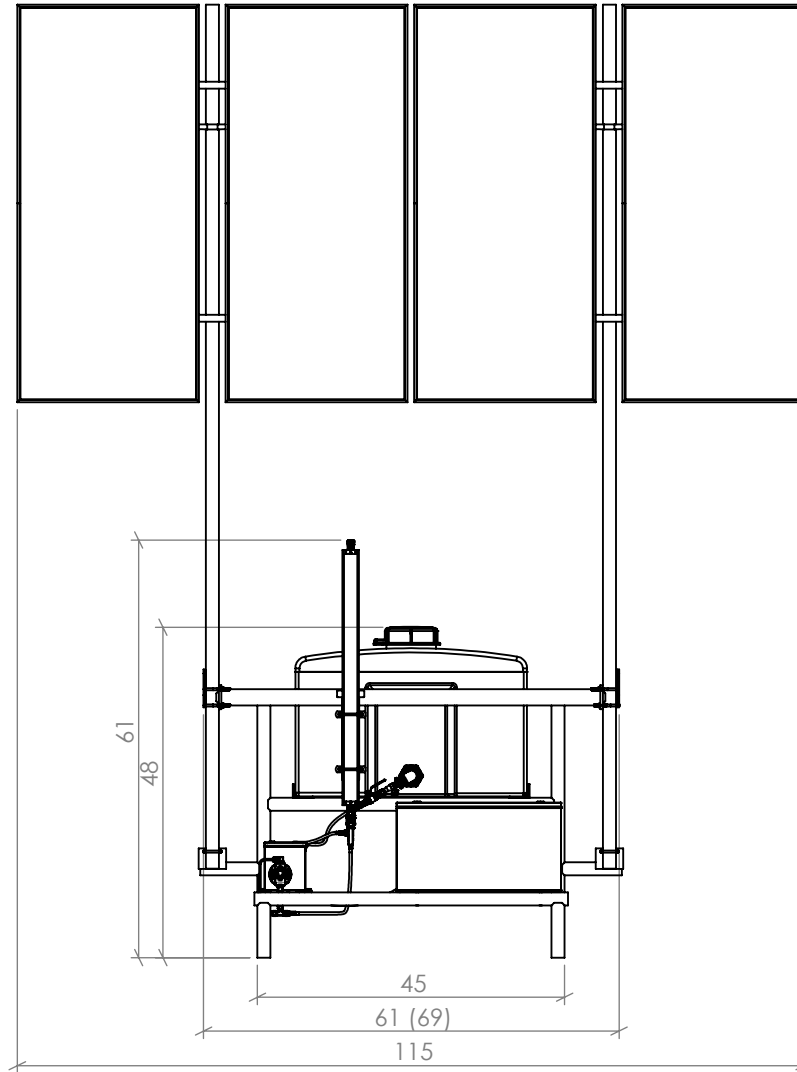
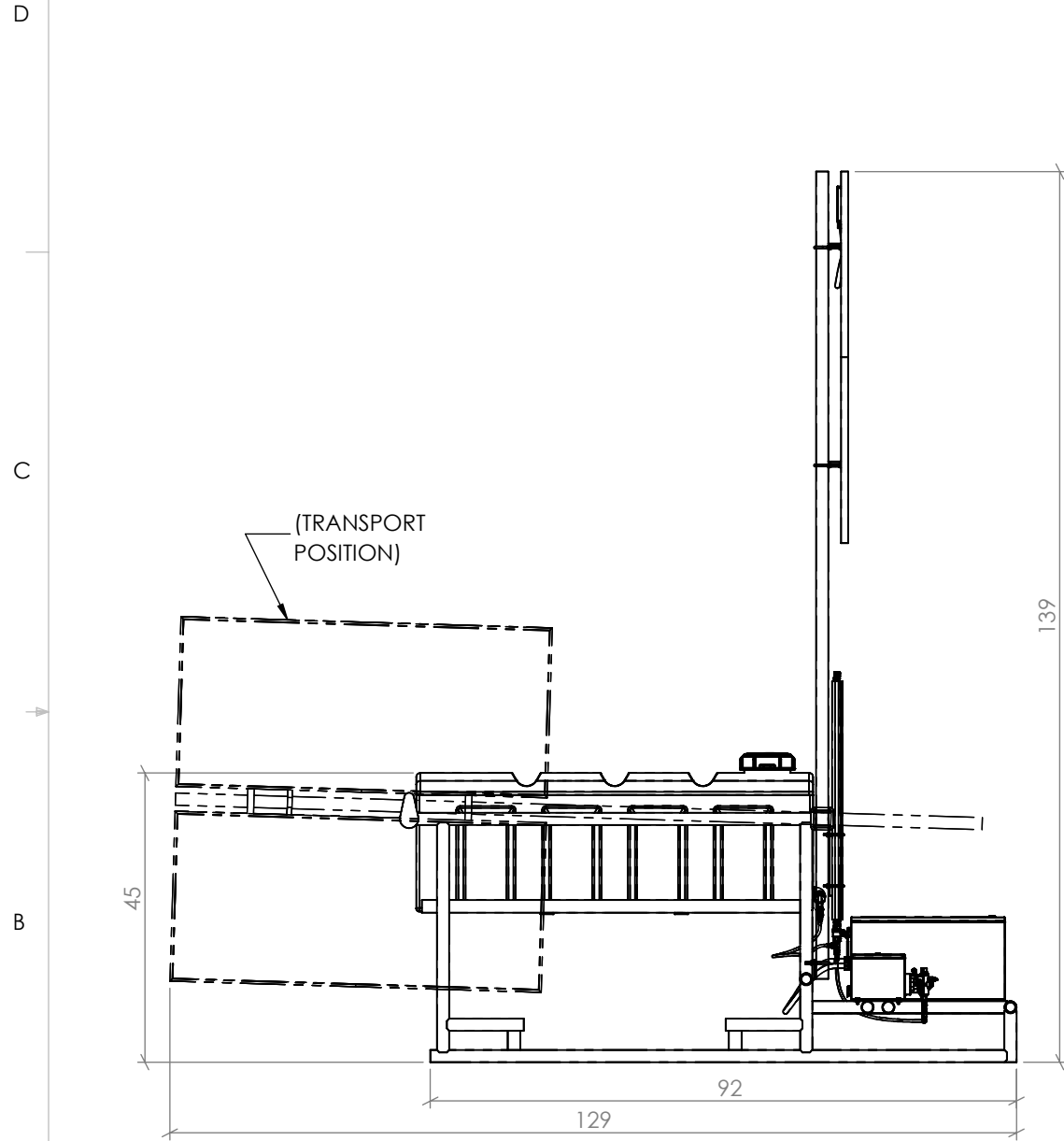


FMT-SOLAR SKID 100 GALLON (WITH POWER X4)



Notes:

- (4) 140 watt solar panels
- 24V DC charging regulator
- (6) 120Ahr AGM gel batteries and NEMA 3R enclosure
- 100 Gallon double walled, grounded, polyethylene tank
- Tank level gauge (3')
- Painted steel skid frame
- All component interconnection wiring and mounting
- Battery wiring components provided but wiring by other
- Weight: Batteries = 300 lbs, Skid= 650 lbs, shipped separately
- CSA Certified Class 1/ Division 2 Groups A,B,C and D

PROPRIETARY AND CONFIDENTIAL
 THE INFORMATION CONTAINED IN THIS DRAWING IS THE SOLE PROPERTY OF MORRISON MACHINE WORKS. ANY REPRODUCTION IN PART OR AS A WHOLE WITHOUT THE WRITTEN PERMISSION OF MORRISON MACHINE WORKS IS PROHIBITED.

| | | | | | |
|-------------|---------|---|--|-----------|----------|
| | | UNLESS OTHERWISE SPECIFIED: | | NAME | DATE |
| | | DIMENSIONS ARE IN INCHES | | DRAWN | MM 10/15 |
| | | TOLERANCES: | | CHECKED | JM 10/15 |
| | | FRACTIONAL ±1/64 | | ENG APPR. | JM 10/15 |
| | | ANGULAR: MACH ±0.5 | | MFG APPR. | MM 10/15 |
| | | NO DECIMAL PLACE ±1.0 | | Q.A. | |
| | | ONE PLACE DECIMAL ±0.2 | | COMMENTS: | |
| | | INTERPRET GEOMETRIC TOLERANCING PER: DOC 34.3 | | | |
| | | MATERIAL N/A | | | |
| NEXT ASSY | USED ON | FINISH N/A | | | |
| APPLICATION | | DO NOT SCALE DRAWING | | | |

| | | | | |
|-------------|--|--------------|---|-----|
| mci | | SIZE | DWG. NO. | REV |
| | | B | 4X Panel_100 Gallon Skid Package With Power_REV 1 | |
| SCALE: 1:20 | | SHEET 1 OF 1 | | |