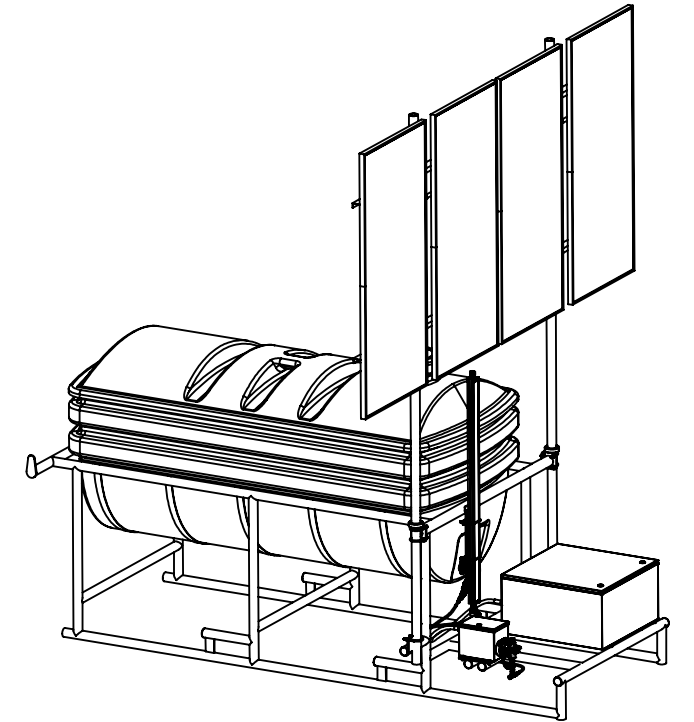
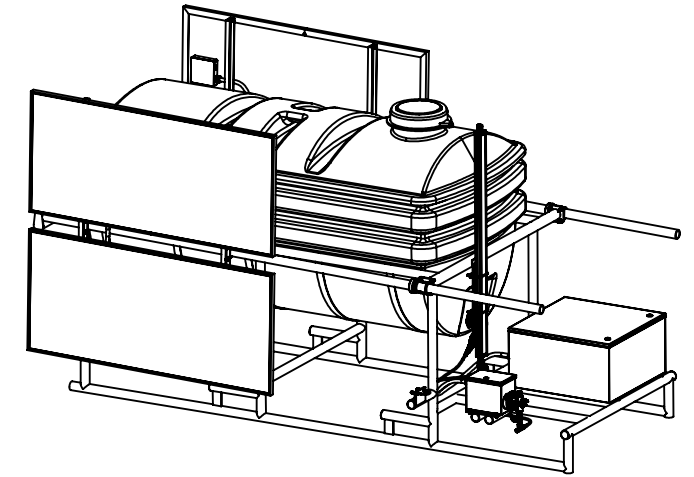
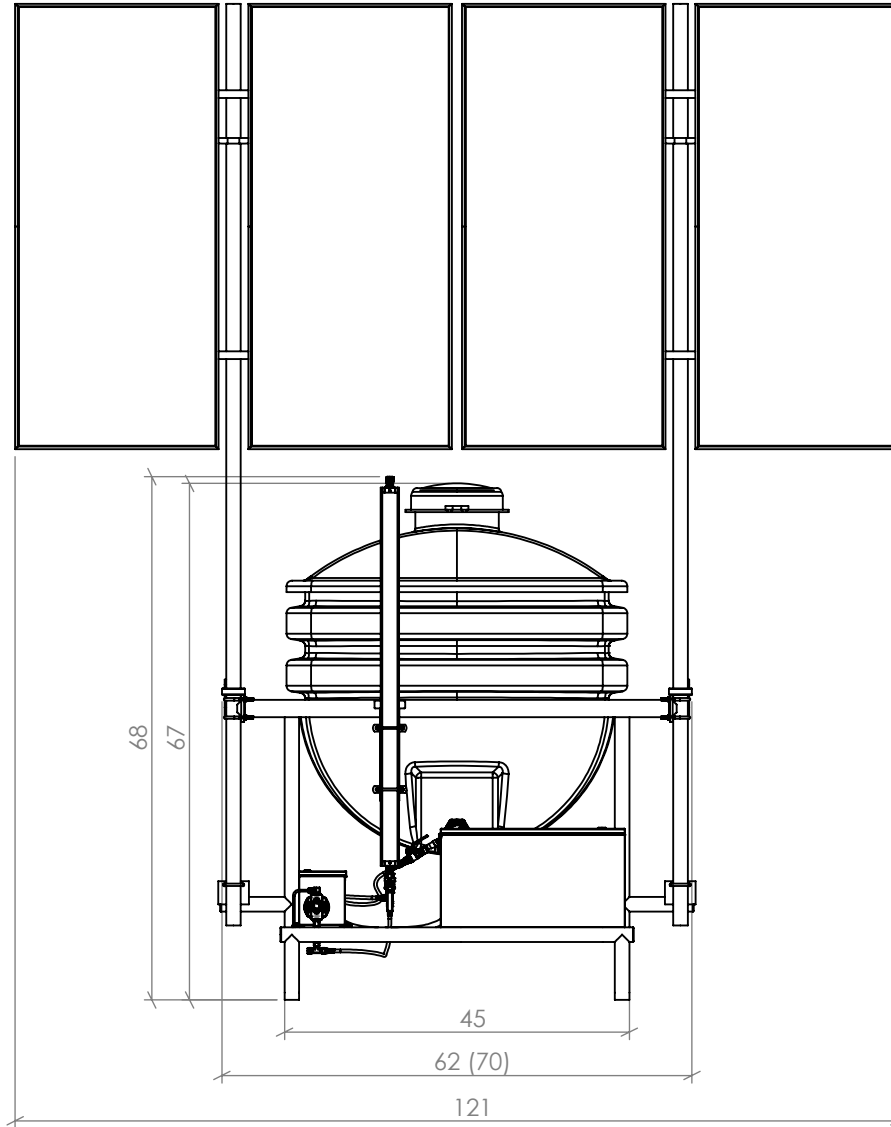
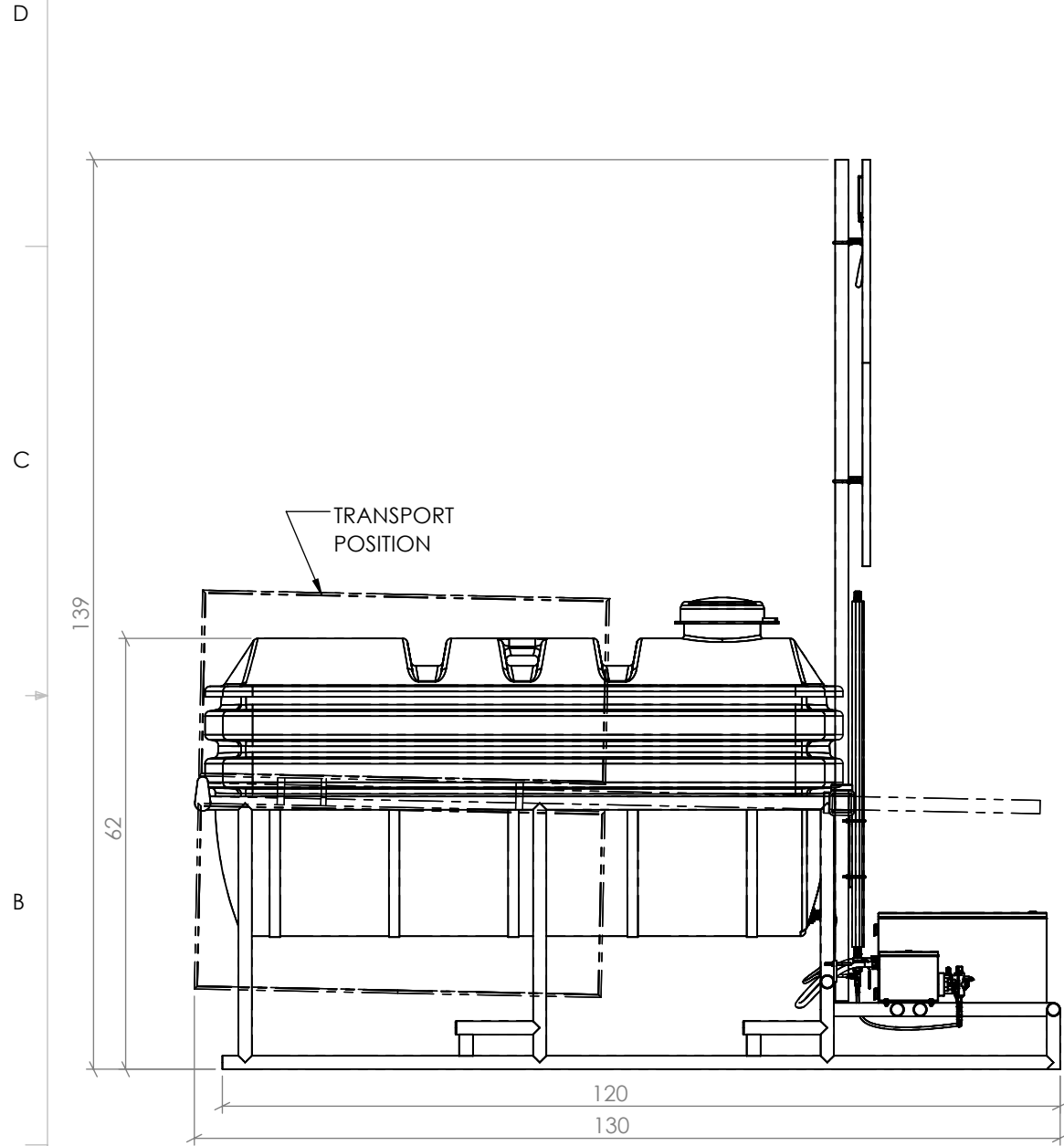



FMT-SOLAR SKID 300 GALLON (WITH POWER x4)



Notes:

- (4) 140 watt solar panels
- 24V DC charging regulator
- (6) 120AHr AGM gel batteries and NEMA 3R enclosure
- 300 Gallon double walled, grounded, polyethylene tank
- Tank level gauge (4')
- Painted steel skid frame
- All component interconnection wiring and mounting
- Battery wiring components provided but wiring by other
- Weight: Batteries = 300 lbs, Skid= 950 lbs, shipped separately
- CSA Certified Class 1/ Division 2 Groups A,B,C and D

PROPRIETARY AND CONFIDENTIAL
 THE INFORMATION CONTAINED IN THIS DRAWING IS THE SOLE PROPERTY OF MORRISON MACHINE WORKS. ANY REPRODUCTION IN PART OR AS A WHOLE WITHOUT THE WRITTEN PERMISSION OF MORRISON MACHINE WORKS IS PROHIBITED.

		UNLESS OTHERWISE SPECIFIED:		NAME	DATE
		DIMENSIONS ARE IN INCHES TOLERANCES: FRACTIONAL $\pm 1/64$ ANGULAR: MACH ± 0.5 NO DECIMAL PLACE ± 1.0 ONE PLACE DECIMAL ± 0.2		DRAWN	JM 10/15
		INTERPRET GEOMETRIC TOLERANCING PER: DOC 34.3		CHECKED	JM 10/15
		MATERIAL N/A		ENG APPR.	JM 10/15
		FINISH N/A		MFG APPR.	MM 10/15
NEXT ASSY	USED ON			Q.A.	
APPLICATION		DO NOT SCALE DRAWING		COMMENTS:	
					
		SIZE	DWG. NO.	REV	
		B	x4 Power_FMT-SOLAR SKID 300 GALLON (WITH POWER)_REV 1		
		SCALE: 1:50		SHEET 1 OF 1	