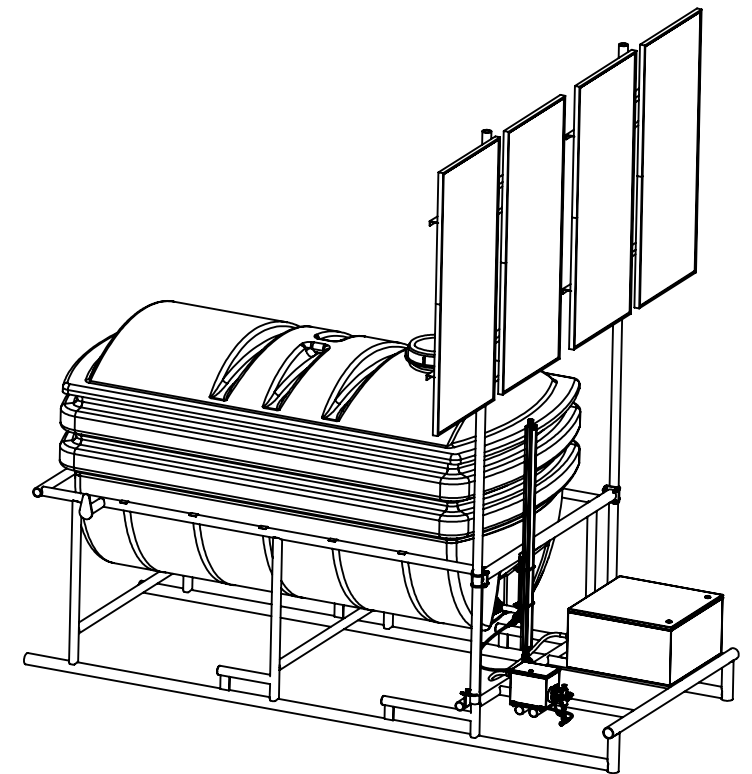
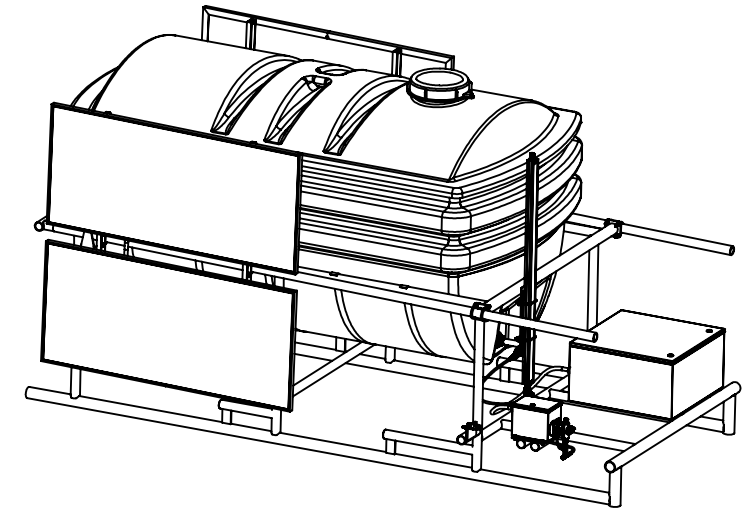
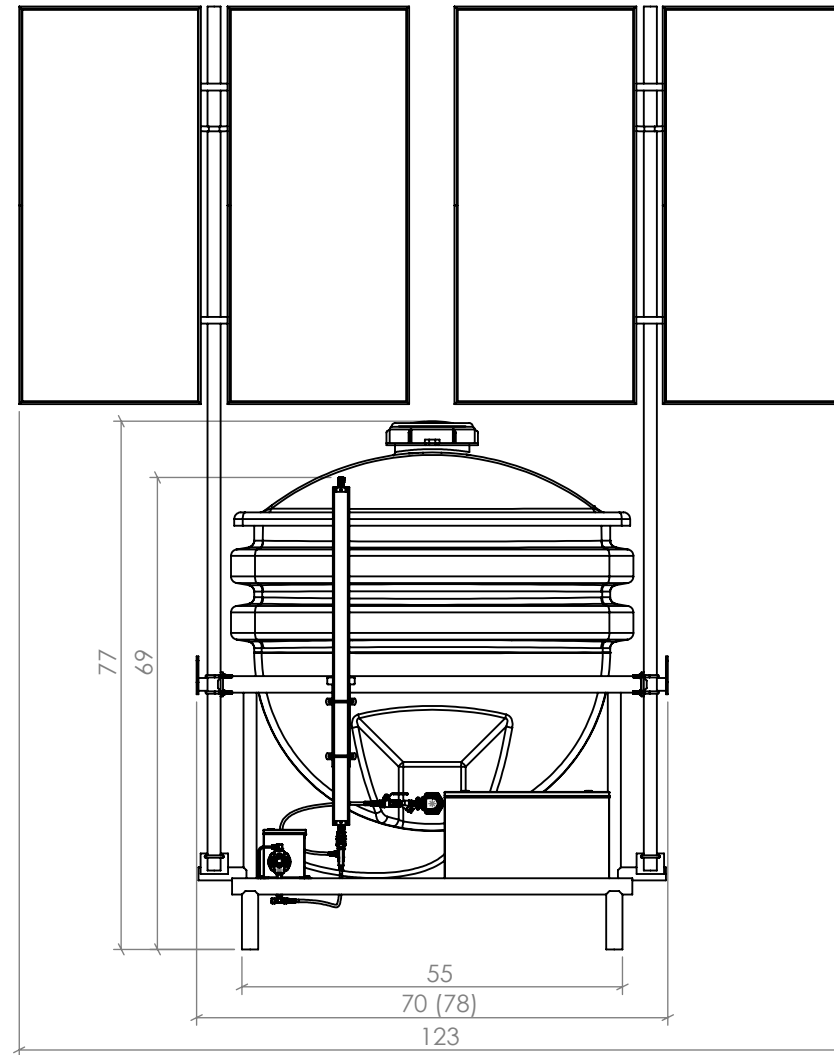
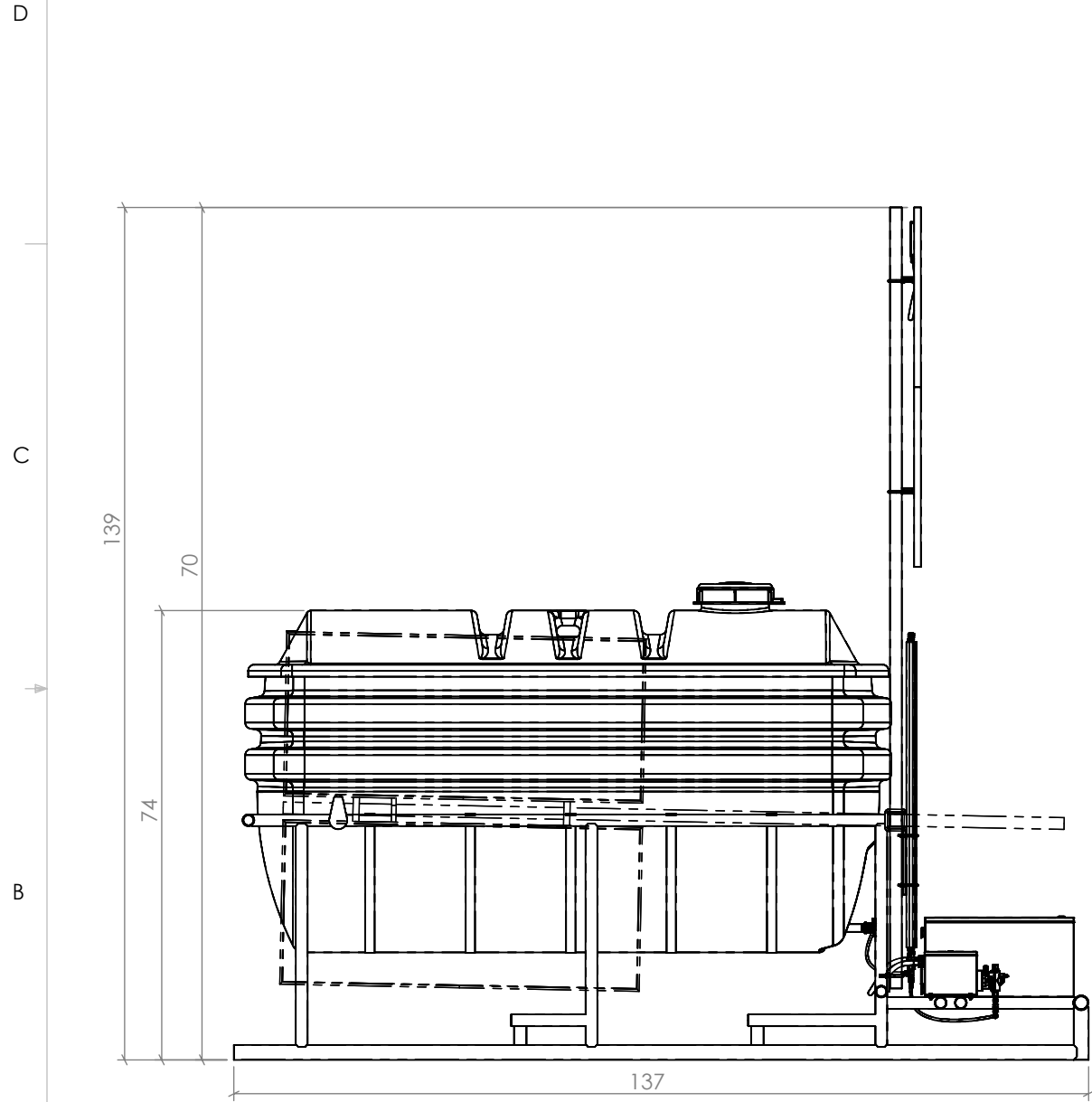


FMT-SOLAR SKID 500 GALLON (WITH POWER x4)



Notes:

- (4) 140 watt solar panels
- 24V DC charging regulator
- (6) 120Ahr AGM gel batteries and NEMA 3R enclosure
- 500 Gallon double walled, grounded, polyethylene tank
- Tank level gauge (4')
- Painted steel skid frame
- All component interconnection wiring and mounting
- Battery wiring components provided but wiring by other
- Weight: Batteries = 300 lbs, Skid= 1050 lbs, shipped separately
- CSA Certified Class 1/ Division 2 Groups A,B,C and D

PROPRIETARY AND CONFIDENTIAL
 THE INFORMATION CONTAINED IN THIS DRAWING IS THE SOLE PROPERTY OF MORRISON MACHINE WORKS. ANY REPRODUCTION IN PART OR AS A WHOLE WITHOUT THE WRITTEN PERMISSION OF MORRISON MACHINE WORKS IS PROHIBITED.

		UNLESS OTHERWISE SPECIFIED:		NAME	DATE
		DIMENSIONS ARE IN INCHES		DRAWN	MM 10/15
		TOLERANCES:		CHECKED	JM 10/15
		FRACTIONAL ± 1/64		ENG APPR.	JM 10/15
		ANGULAR: MACH ± 0.5		MFG APPR.	MM 10/15
		NO DECIMAL PLACE ± 1.0		Q.A.	
		ONE PLACE DECIMAL ± 0.2		COMMENTS:	
		INTERPRET GEOMETRIC TOLERANCING PER: DOC 34.3			
		MATERIAL N/A			
		FINISH N/A			
NEXT ASSY	USED ON	APPLICATION		DO NOT SCALE DRAWING	

		SIZE	DWG. NO.	REV
		B	4x Power_FMT-SOLAR SKID 500 GALLON (WITH POWER)	
SCALE: 1:50		SHEET 1 OF 1		