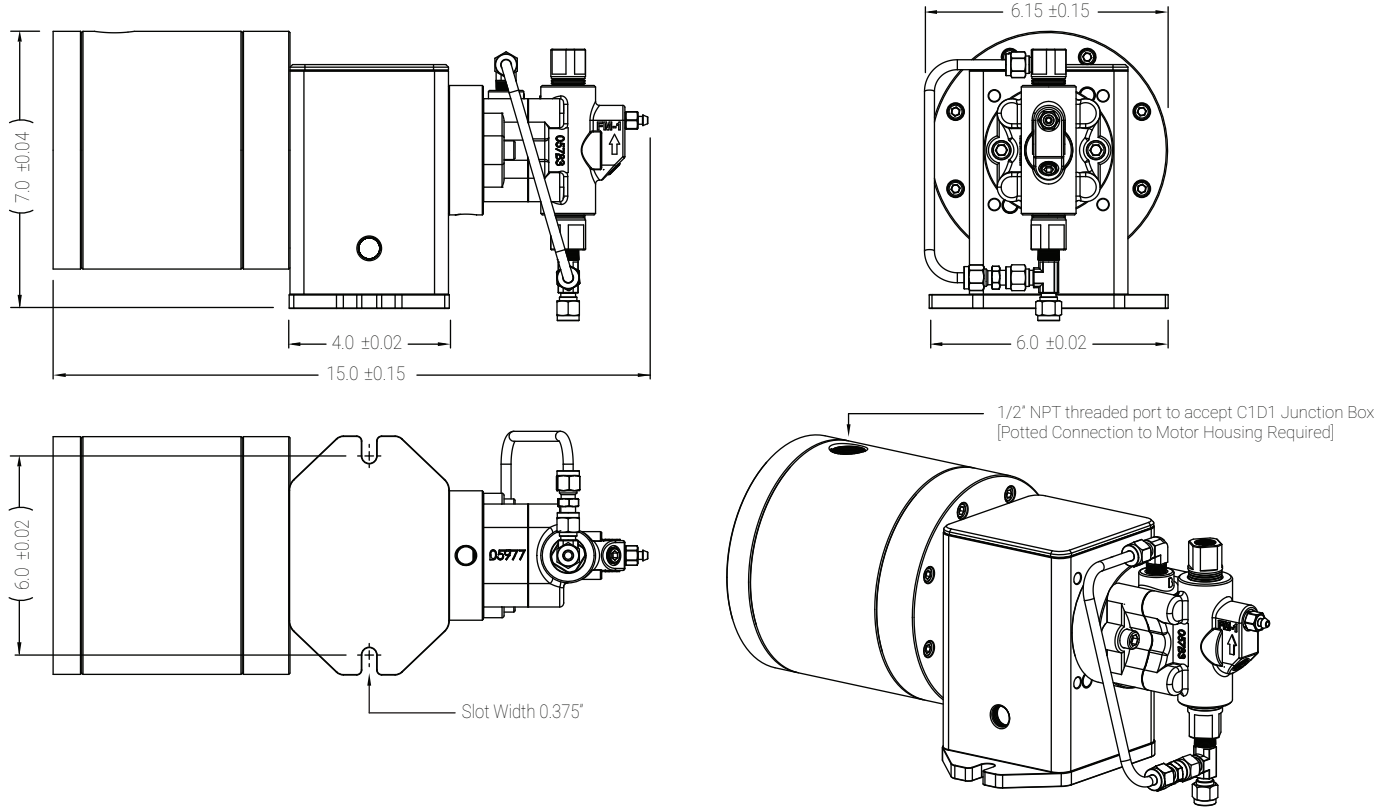




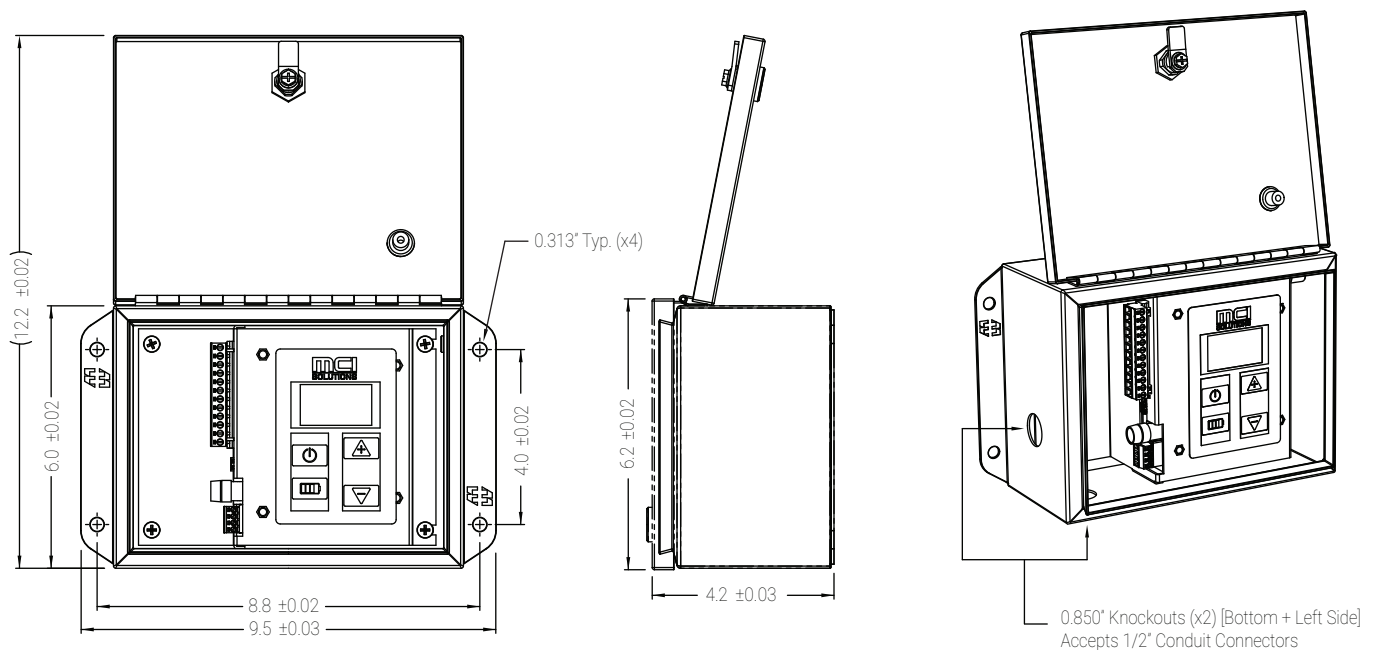
Z-PB-C1D1-V2 12/24V

Chemical Injection Pump For Hazardous Locations

Electric Drive - CSA Class 1 Div 1 Gr: C,D



12/24V Control Module - CSA Class 1 Div 2 Gr. A,B,C,D

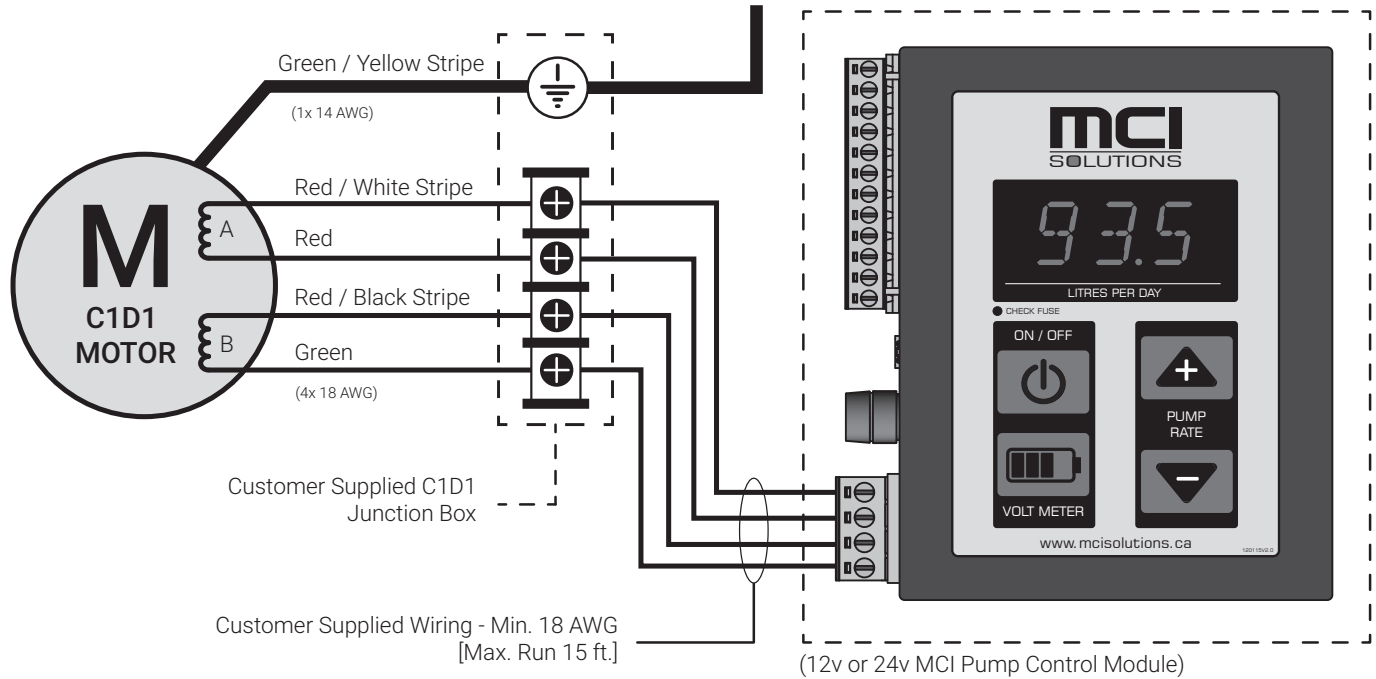


Note: All Dimensions are in Inches

Z-PB-C1D1-V2 12/24V

Bi-Polar Stepper Motor Wiring (4 Lead - 2 Coil)

Note: Suitability of Final Installation is to be Determined by the Authority Having Local Jurisdiction.



Power Supply and Communication(s) Wiring - See Operators Manual for More Information

Note: MCI C1D1 v2.0 Controllers are Available in 12v or 24V Nominal Supply. Always Ensure the Correct System Voltage is Supplied When Commissioning your System.

Pinout Schedule:

- PIN 1 +12V or +24V DC
- PIN 2 - 12V or -24V DC
- PIN 3 Signal Ground
- PIN 4 4-20mA Loop 1 +
- PIN 5 4-20mA Loop 1 -
- PIN 6 RS485 A+ (DAT +)
- PIN 7 RS485 B- (DAT -)
- PIN 8 4-20mA Loop 2 +
- PIN 9 4-20mA Loop 2 -
- PIN 10 Digital Output
- PIN 11 Digital Input
- PIN 12 +5V Source

USB Mini B Receptacle

Fuse 5mm x 20mm 2.5A
(Time Delay - Glass Tube)

Motor Supply
(See Above)

