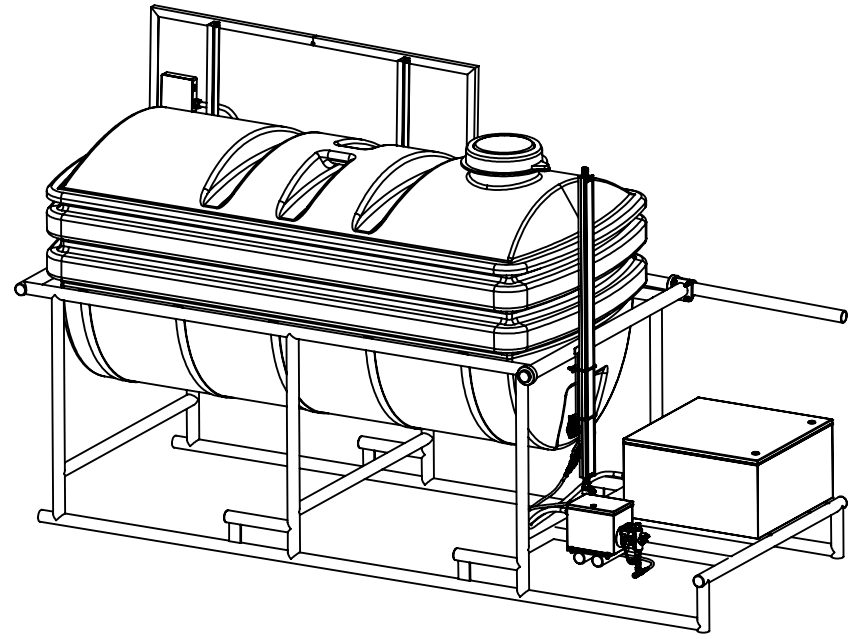
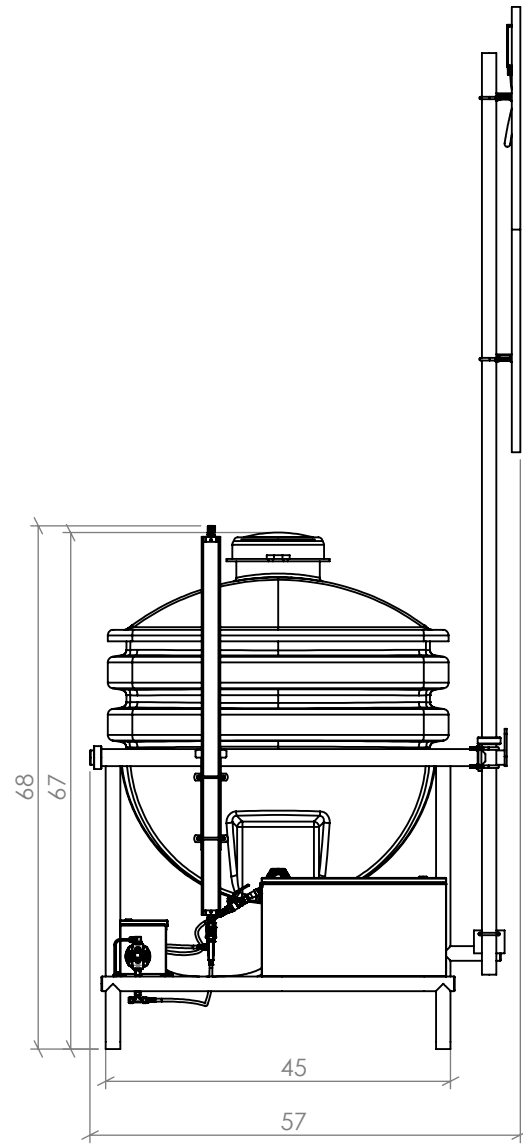
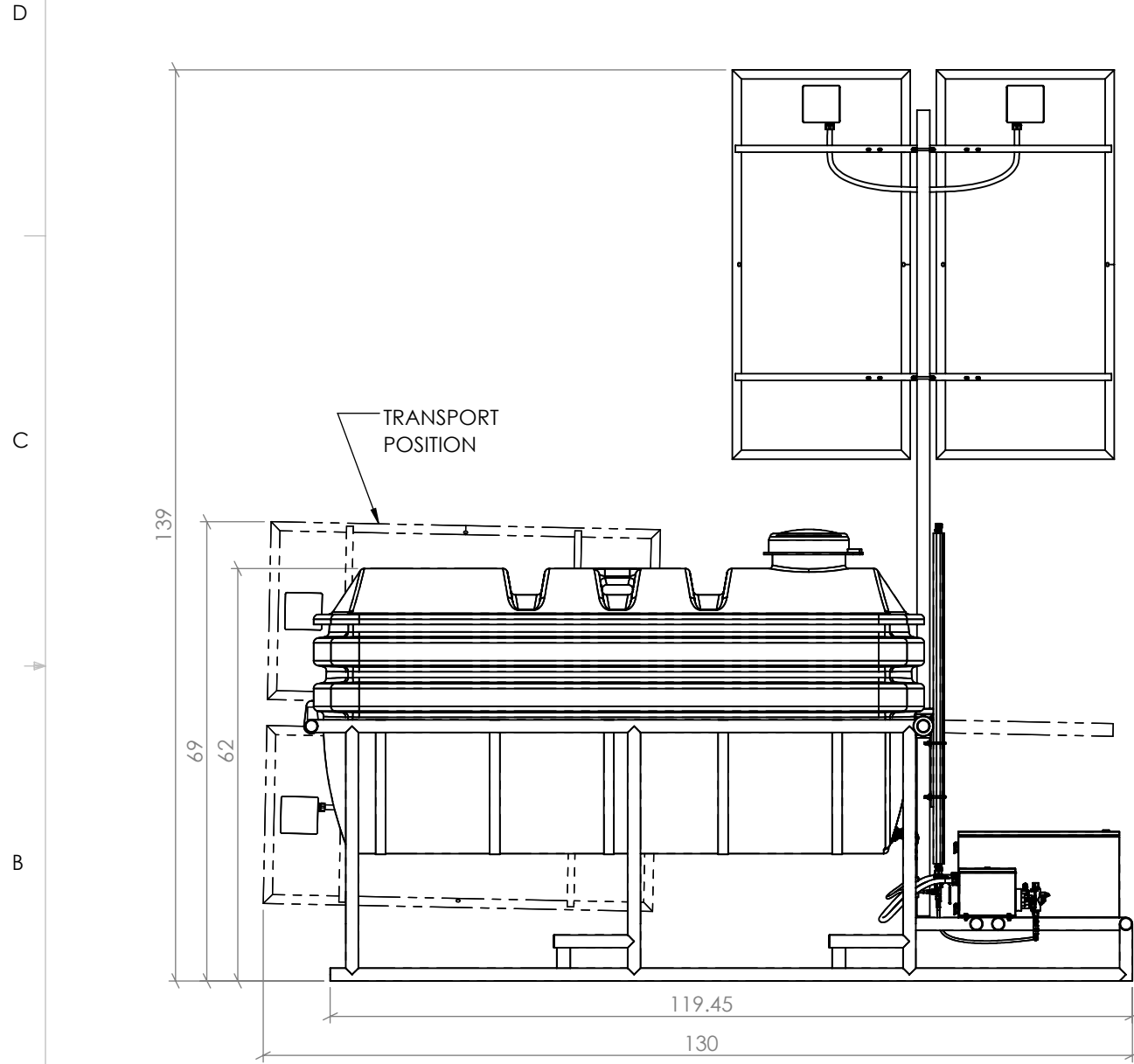


# FMT-SOLAR SKID 300 GALLON (WITH POWER)



**Notes:**

- (2) 140 watt solar panels
- 24V DC charging regulator
- (4) 120AHr AGM gel batteries and NEMA 3R enclosure
- 300 Gallon double walled, grounded, polyethylene tank
- Tank level gauge (4')
- Painted steel skid frame
- All component interconnection wiring and mounting
- Battery wiring components provided but wiring by other
- Weight: Batteries = 300 lbs, Skid= 850 lbs, shipped separately
- CSA Certified Class 1/ Division 2 Groups A,B,C and D

**PROPRIETARY AND CONFIDENTIAL**  
 THE INFORMATION CONTAINED IN THIS DRAWING IS THE SOLE PROPERTY OF MORRISON MACHINE WORKS. ANY REPRODUCTION IN PART OR AS A WHOLE WITHOUT THE WRITTEN PERMISSION OF MORRISON MACHINE WORKS IS PROHIBITED.

		UNLESS OTHERWISE SPECIFIED:		NAME	DATE
		DIMENSIONS ARE IN INCHES		DRAWN	MM 10/15
		TOLERANCES:		CHECKED	JM 10/15
		FRACTIONAL $\pm 1/64$		ENG APPR.	JM 10/15
		ANGULAR: MACH $\pm 0.5$		MFG APPR.	MM 10/15
		NO DECIMAL PLACE $\pm 1.0$		Q.A.	
		ONE PLACE DECIMAL $\pm 0.2$		COMMENTS:	
		INTERPRET GEOMETRIC TOLERANCING PER: DOC 34.3			
		MATERIAL N/A			
NEXT ASSY	USED ON	FINISH N/A			
APPLICATION		DO NOT SCALE DRAWING			

<b>mci</b>		
SIZE <b>B</b>	DWG. NO.	REV
	FMT-SOLAR SKID 300 GALLON (WITH POWER)_REV 1	
SCALE: 1:50		SHEET 1 OF 1