

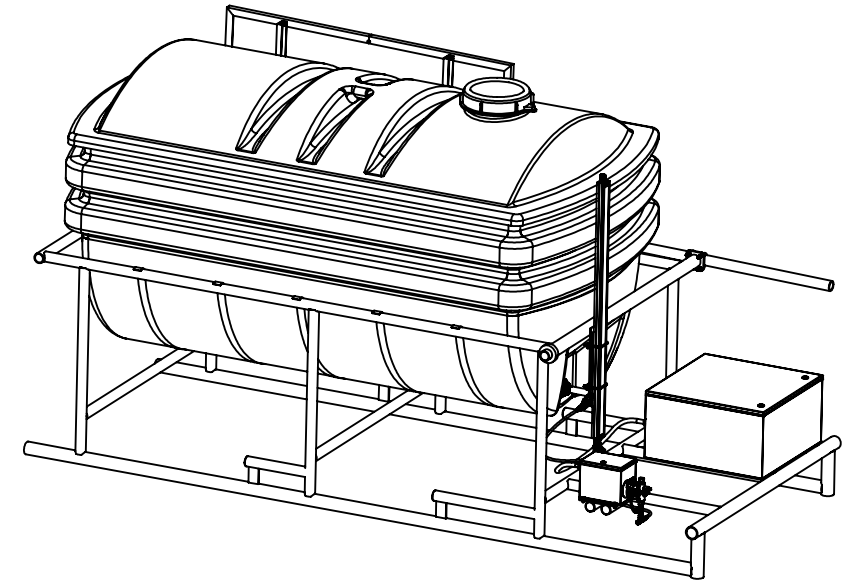
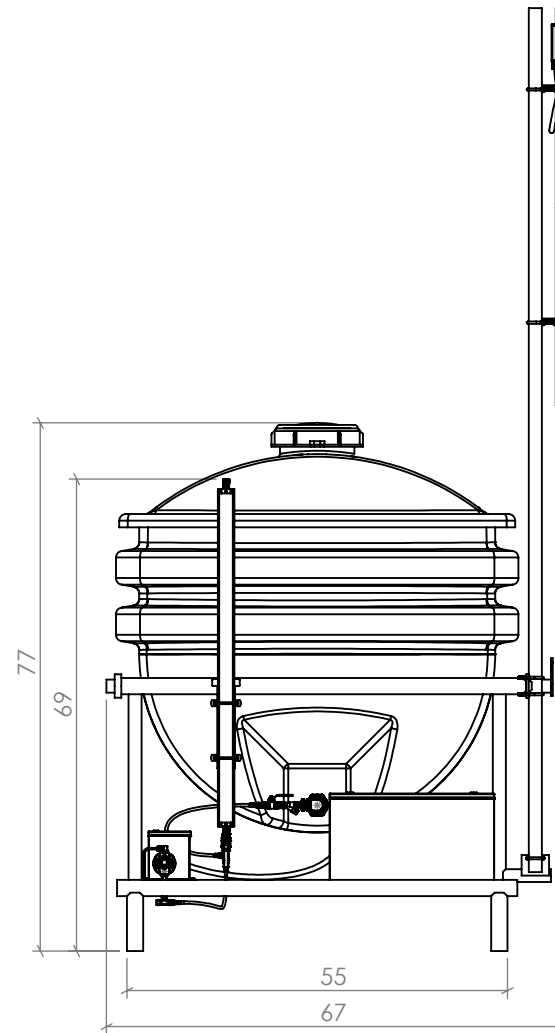
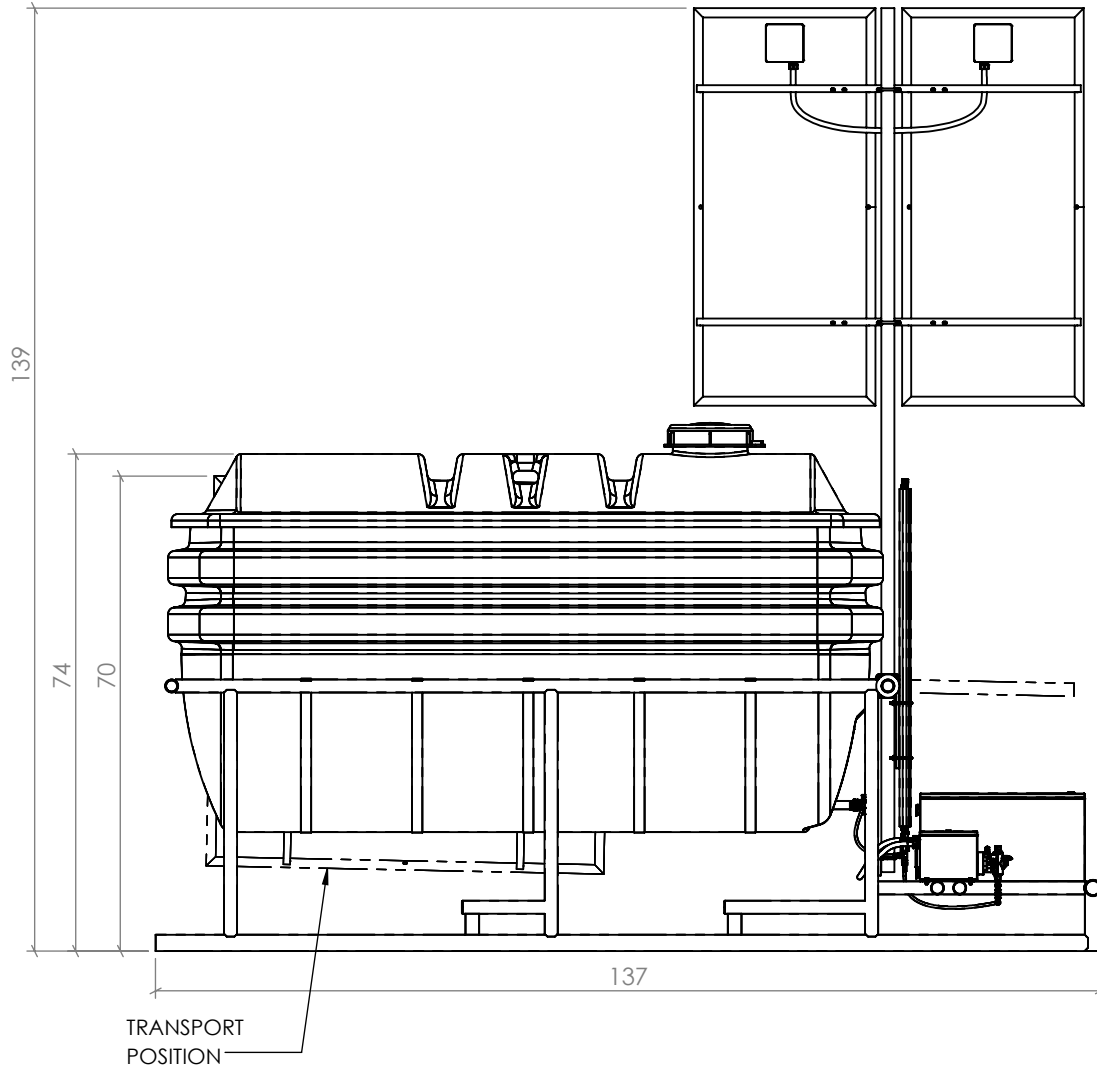
# FMT-SOLAR SKID 500 GALLON (WITH POWER)

D

C

B

A



D

C


B

A

## Notes:

- (2) 140 watt solar panels
- 24V DC charging regulator
- (4) 120AHr AGM gel batteries and NEMA 3R enclosure
- 500 Gallon double walled, grounded, polyethylene tank
- Tank level gauge (4')
- Painted steel skid frame
- All component interconnection wiring and mounting
- Battery wiring components provided but wiring by other
- Weight: Batteries = 300 lbs, Skid= 950 lbs, shipped separately
- CSA Certified Class 1/ Division 2 Groups A,B,C and D

**PROPRIETARY AND CONFIDENTIAL**  
 THE INFORMATION CONTAINED IN THIS DRAWING IS THE SOLE PROPERTY OF MORRISON MACHINE WORKS. ANY REPRODUCTION IN PART OR AS A WHOLE WITHOUT THE WRITTEN PERMISSION OF MORRISON MACHINE WORKS IS PROHIBITED.

|             |         | UNLESS OTHERWISE SPECIFIED:  |  | NAME  | DATE   |
|-------------|---------|--|--|---|--|
|             |         | DIMENSIONS ARE IN INCHES<br>TOLERANCES:<br>FRACTIONAL $\pm 1/64$<br>ANGULAR: MACH $\pm 0.5$<br>NO DECIMAL PLACE $\pm 1.0$<br>ONE PLACE DECIMAL $\pm 0.2$ |  | DRAWN   | MM 10/15                                     |
|             |         | INTERPRET GEOMETRIC<br>TOLERANCING PER: DOC 34.3   |  | CHECKED   | JM 10/15                                     |
|             |         | MATERIAL N/A   |  | ENG APPR.   | JM 10/15                                     |
|             |         | FINISH N/A   |  | MFG APPR.   | MM 10/15                                     |
| NEXT ASSY   | USED ON |  |  | Q.A.  |  |
| APPLICATION |         | DO NOT SCALE DRAWING   |  | COMMENTS:   |  |
|             |         |  |  |  |  |
|             |         |  |  |   |  |
|             |         |  |  | SIZE  | DWG. NO.                                     |
|             |         |  |  | <b>B</b>  | FMT-SOLAR SKID 500 GALLON (WITH POWER)_REV 1 |
|             |         |  |  | REV   |  |
|             |         |  |  | SCALE: 1:50   |  |
|             |         |  |  | SHEET 1 OF 1  |  |

8

7

6

5

4

3

2

1