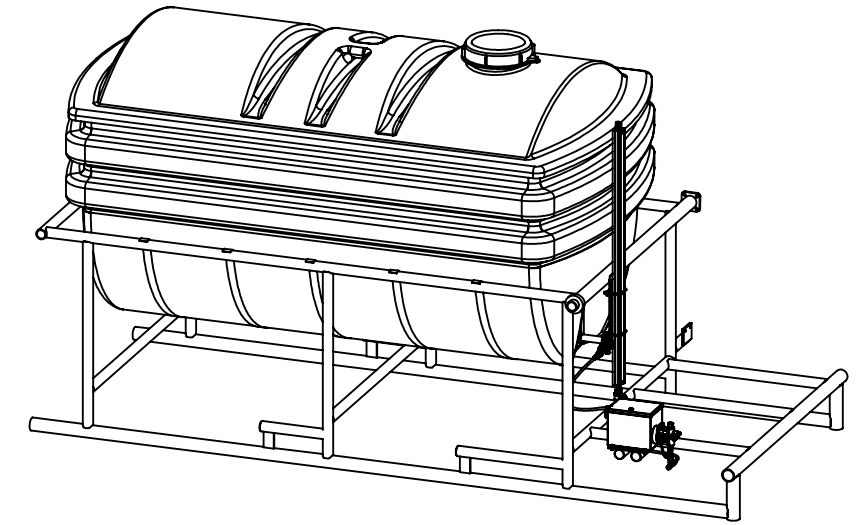
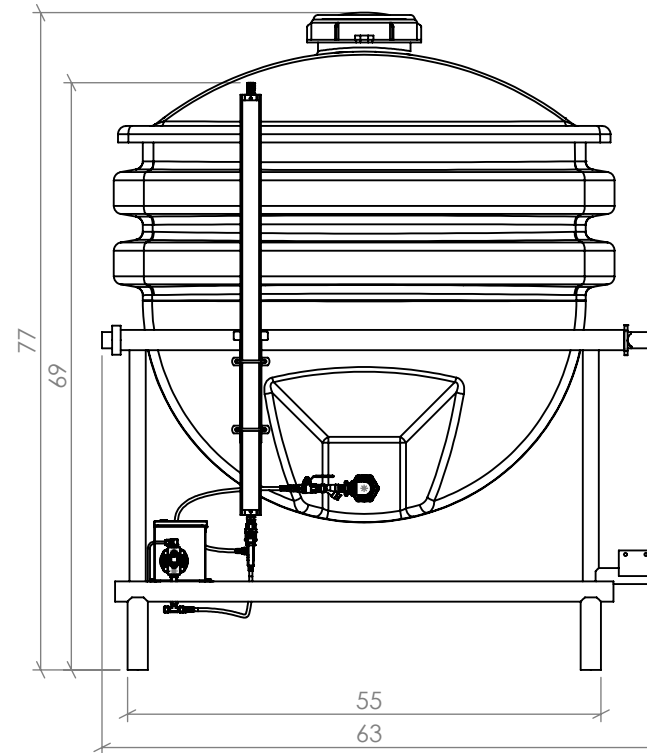
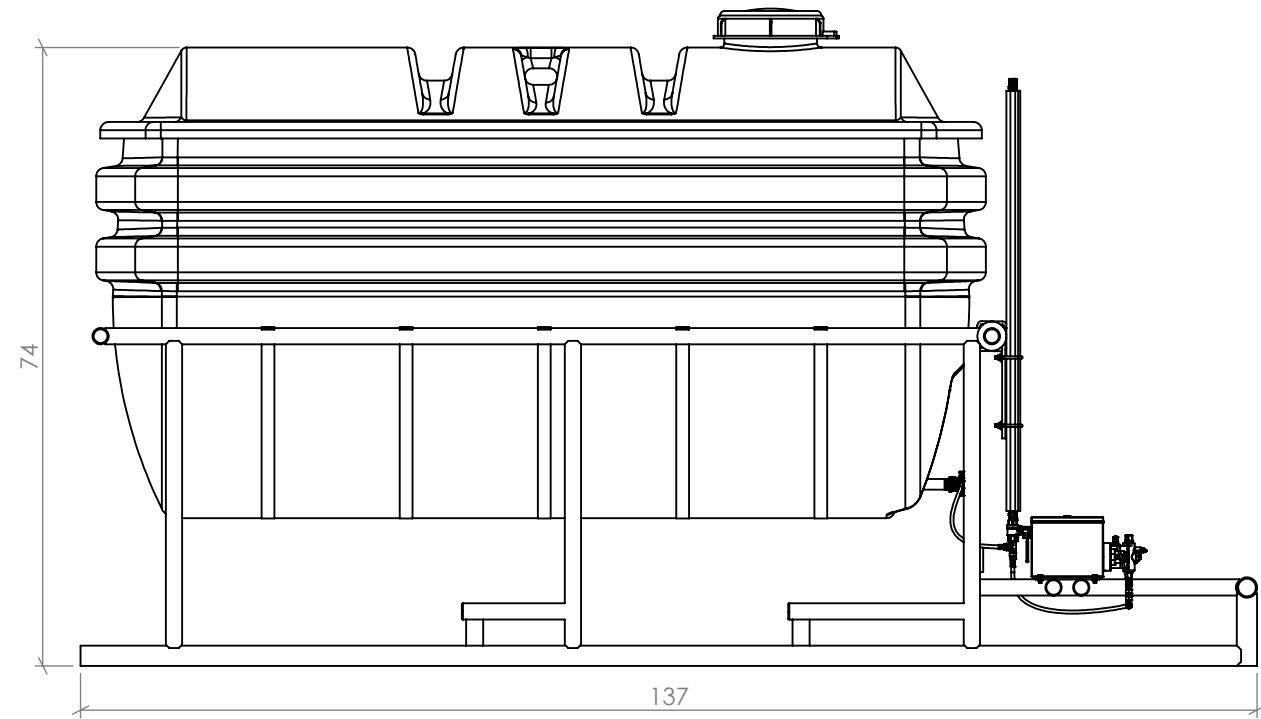


FMT-SOLAR SKID 500 GALLON (WITHOUT POWER)




Notes:

- 500 Gallon double walled, grounded, polyethylene tank
- Tank level gauge (4')
- Painted steel skid frame
- Skid= 850 lbs
- CSA Certified Class 1 / Division 2 Groups A,B,C and D

PROPRIETARY AND CONFIDENTIAL
 THE INFORMATION CONTAINED IN THIS DRAWING IS THE SOLE PROPERTY OF MORRISON MACHINE WORKS. ANY REPRODUCTION IN PART OR AS A WHOLE WITHOUT THE WRITTEN PERMISSION OF MORRISON MACHINE WORKS IS PROHIBITED.

		UNLESS OTHERWISE SPECIFIED:		NAME	DATE
		DIMENSIONS ARE IN INCHES		DRAWN	MM 10/15
		TOLERANCES:		CHECKED	JM 10/15
		FRACTIONAL $\pm 1/64$		ENG APPR.	JM 10/15
		ANGULAR: MACH ± 0.5		MFG APPR.	MM 10/15
		NO DECIMAL PLACE ± 1.0		Q.A.	
		ONE PLACE DECIMAL ± 0.2		COMMENTS:	
		INTERPRET GEOMETRIC TOLERANCING PER: DOC 34.3			
		MATERIAL N/A			
NEXT ASSY	USED ON	FINISH N/A			
APPLICATION		DO NOT SCALE DRAWING			

		SIZE	DWG. NO.	REV
		B	FMT-SOLAR SKID 500 GALLON (WITHOUT POWER)_REV 1	
SCALE: 1:50		SHEET 1 OF 1		