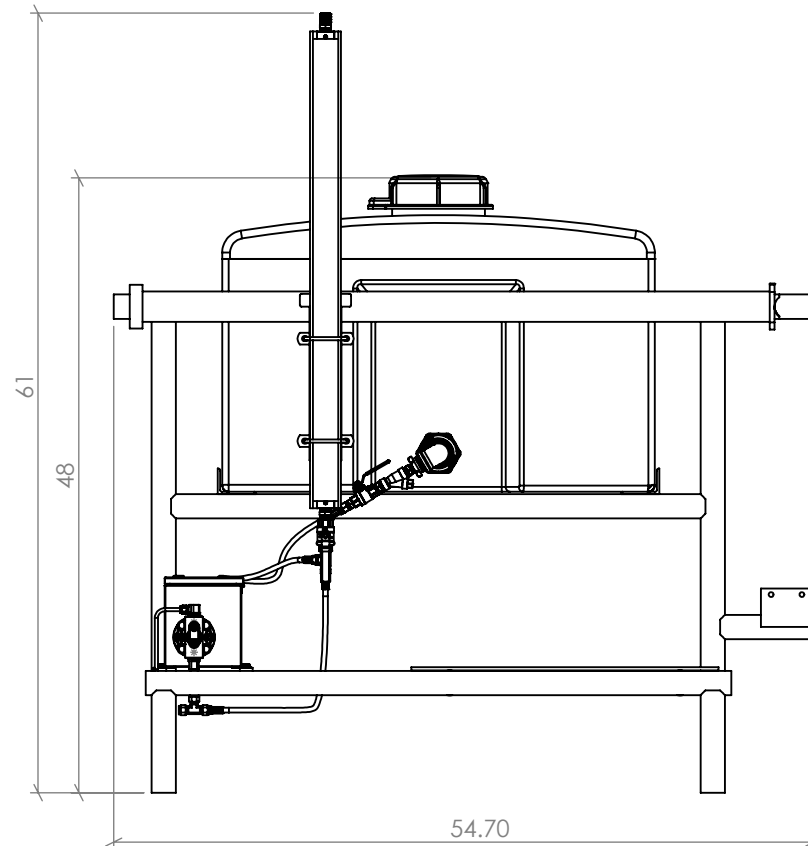
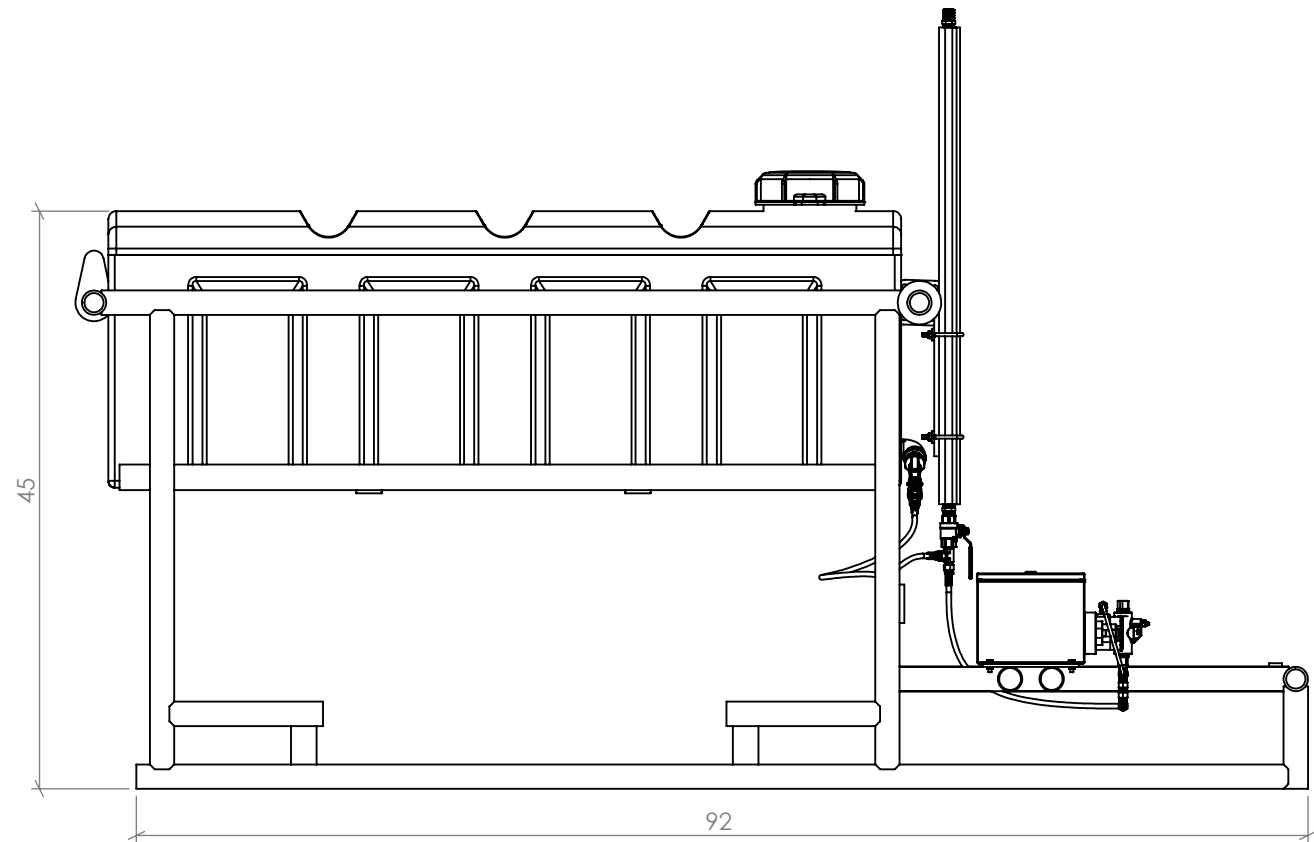
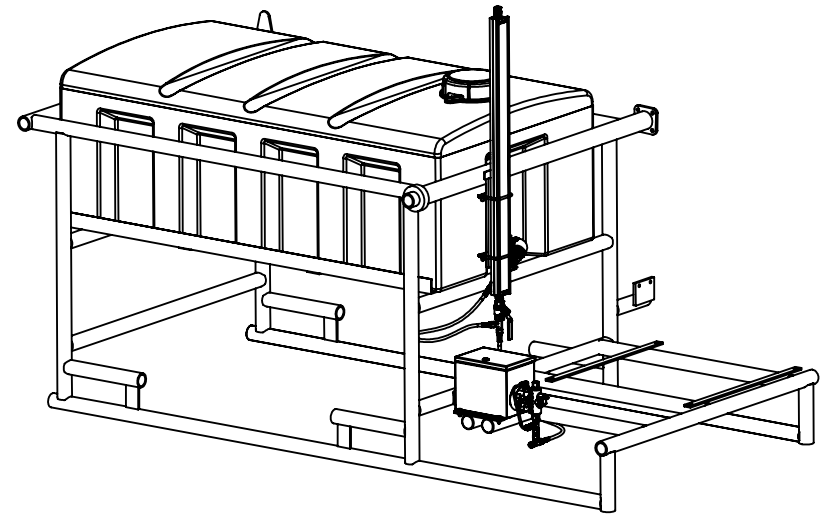



FMT-SOLAR SKID 100 GALLON (WITHOUT POWER)



Notes:

- 100 Gallon double walled, grounded, polyethylene tank
- Tank level gauge (3')
- Painted steel skid frame
- Skid= 375 lbs
- CSA Certified Class 1/ Division 2 Groups A,B,C and D

PROPRIETARY AND CONFIDENTIAL
 THE INFORMATION CONTAINED IN THIS DRAWING IS THE SOLE PROPERTY OF MORRISON MACHINE WORKS. ANY REPRODUCTION IN PART OR AS A WHOLE WITHOUT THE WRITTEN PERMISSION OF MORRISON MACHINE WORKS IS PROHIBITED.

		UNLESS OTHERWISE SPECIFIED:		NAME	DATE
		DIMENSIONS ARE IN INCHES TOLERANCES: FRACTIONAL ± 1/64 ANGULAR: MACH ± 0.5 NO DECIMAL PLACE ± 1.0 ONE PLACE DECIMAL ± 0.2		DRAWN	MM 10/15
		INTERPRET GEOMETRIC TOLERANCING PER: DOC 34.3		CHECKED	JM 10/15
		MATERIAL N/A		ENG APPR.	JM 10/15
NEXT ASSY	USED ON	FINISH N/A		MFG APPR.	MM 10/15
APPLICATION		DO NOT SCALE DRAWING		Q.A.	
				COMMENTS:	
					
		SIZE	DWG. NO.	REV	
		B	100 Gallon Skid Package Without Power_REV 1		
		SCALE: 1:20		SHEET 1 OF 1	